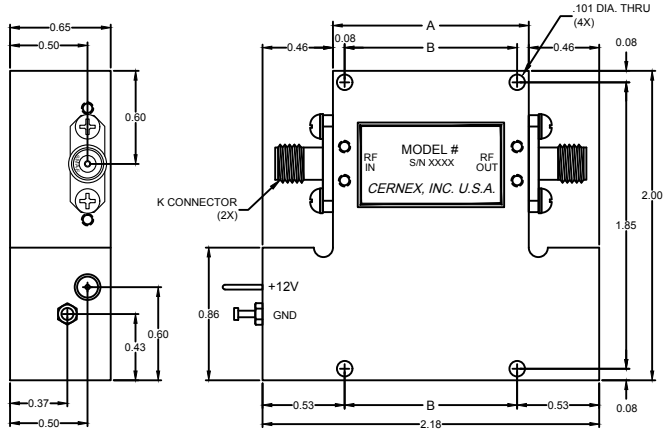
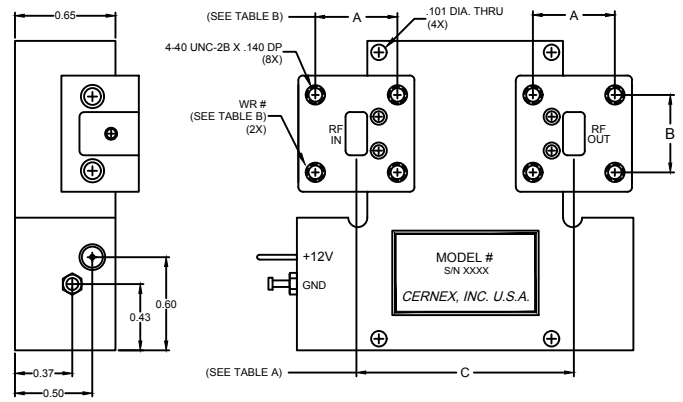


## MKP, MVP Series with COAXIAL CONNECTORS



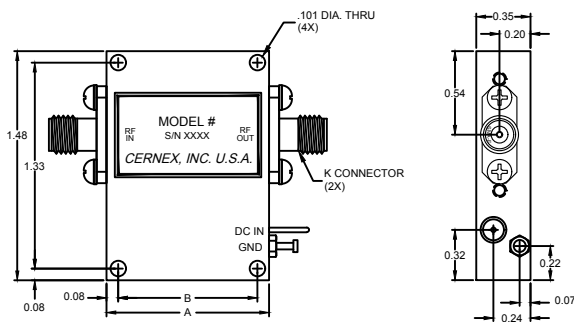
CASE TYPE	DIMENSIONS	
	A	B
MKP4	1.27	1.12

## MKP, MVP Series with WAVEGUIDE CONNECTORS



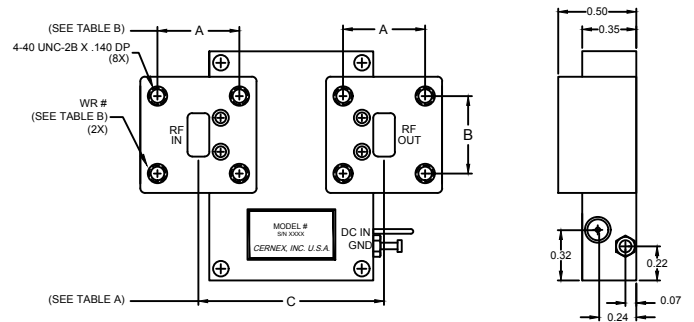
WR #	A	B	C
WR42	.67	.64	1.44
WR34	.67	.64	1.44
WR28	.53	.50	1.41
WR22	.53	.50	1.38
WR19	.53	.50	1.36

## MK, MVC Series with COAXIAL CONNECTORS



CASE TYPE	DIMENSIONS	
	A	B
MK1 MVC1	0.68	0.53
MK2 MVC2	0.83	0.68
MK3 MVC3	1.05	0.90
MK4 MVC4	1.28 (MK4) 1.28 (MVC4)	1.13 (MK4) 1.13 (MVC4)
MK5	1.51	1.36

## MK, MVC Series with WAVEGUIDE CONNECTORS



CASE TYPE	C				
	WR42	WR34	WR28	WR22	WR19
MK2 MVC2	1.00	1.00	0.97	0.94	0.92
MK3 MVC3	1.22	1.22	1.19	1.16	1.14
MK4 MVC4	1.45	1.45	1.42	1.39	1.37
MK5	1.68	1.68	1.65	1.62	1.60

WR#	A	B
WR42	.67	.64
WR34	.67	.64
WR28	.53	.50
WR22	.53	.50
WR19	.53	.50

TOLERANCES: .XX ±.01